

Am (G) (F)
 All the leaves are brown
All the leaves are brown

G E
 And the sky is grey
And the sky is grey

F C (E) (Am)
 I've been for a walk,
I've been for a walk

F E
 On a winter's day,
on a winter's day

Am (G) (F)
 I'd be safe and warm,
I'd be safe and warm

G E
 if I was in L.A.
if I was in L.A.

Am (G) (F)
 California dreamin'
 California dreamin'

G E
 on such a winter's day
on such a winter's day

Am (G) (F)
 Stopped into a church
 G E
 I passed along the way
 F C (E) (Am)
 Well, I got down on my knees
Got down on my knees

F E
 and I pretend to pray
I pretend to pray

Am (G) (F)
 You know, the preacher likes the cold,
Preacher likes the cold

G E
 He knows I'm gonna stay
Knows I'm gonna stay

CHORUS

VERSE 1

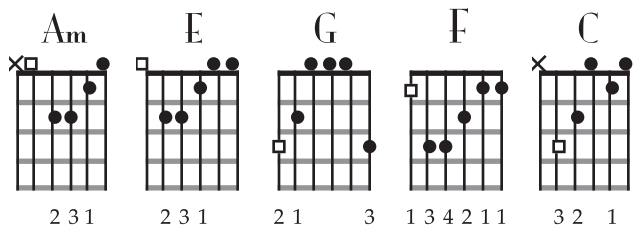
Am (G) (F)
 If I didn't tell her,
If I didn't tell her

G E
 I could leave today,
I could leave today

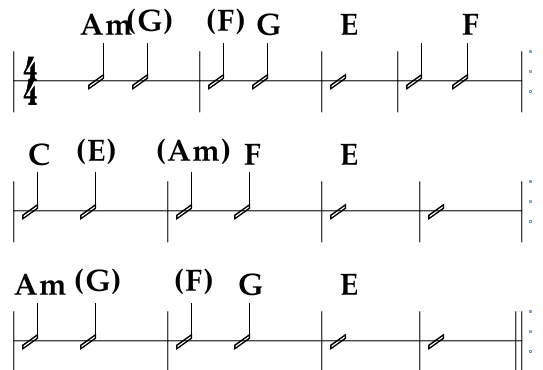
CHORUS

California Dreamin'

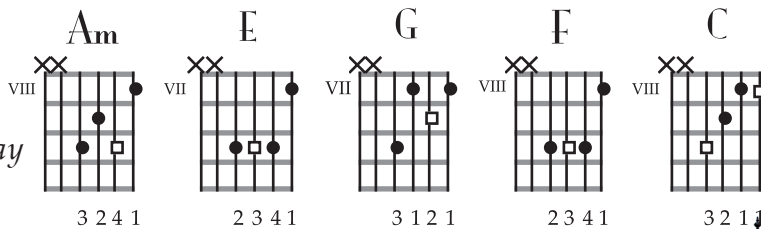
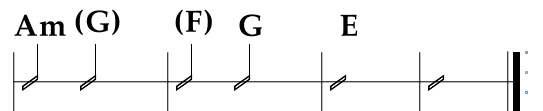
John and Michelle Phillips



Verse



Chorus



California Dreamin'

Intro

The Intro section consists of two systems of music. The first system features a treble clef staff with a 4/4 time signature and a guitar TAB staff below it. The melody is composed of eighth notes with triplets. The TAB shows fret numbers: 2-2-0, 2-3-1-0, 2-2-0, 2-3-1-0, 2-2-0, 2-3-1-0. The second system continues the melody with a treble clef staff and a guitar TAB staff. The melody includes a triplet of eighth notes. The TAB shows fret numbers: 0-1-0, 3, 1-3-1-0, 5-3, 5.

Flute Solo

The Flute Solo section is divided into four systems. The first system has a treble clef staff with a 4/4 time signature and a guitar TAB staff. Chords Am, H, G, Am, G are indicated above the staff. The TAB shows fret numbers: 1, (1) 0-1-3-1-0, 1, 0-1-3-1-2. The second system continues the melody with a treble clef staff and a guitar TAB staff. Chords C, E, Am, F, E are indicated. The TAB shows fret numbers: 0, 1, 2, 1-1, (1) 0, 9, 7, 11, 12. The third system features a treble clef staff with a guitar TAB staff. Chords Am, P, G, F, P, G, E, full, full are indicated. The TAB shows fret numbers: 10, 10, 8, 10, 10, 10, 10, 10, 10, 10, 10, 7, 10, 10, 10, 15, 12, 10. The fourth system continues the melody with a treble clef staff and a guitar TAB staff. Chords Am, full, G, F, G, E are indicated. The TAB shows fret numbers: 10, 8, 10, 10, 8, 10, 10, (10) 8, 10, 10, 10, 8, 10, 11, 12, 12, 12, 10, 10, 7, 7, 9, 9, 10, 10, 9.